

RoHS

Recommended P.C.B Layout  
General Tolerance±0.05

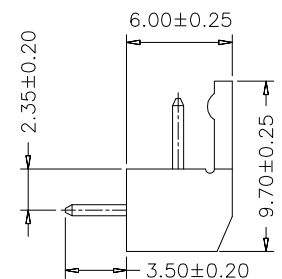
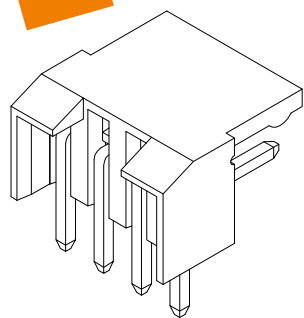
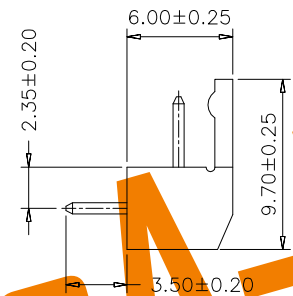
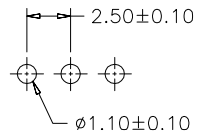
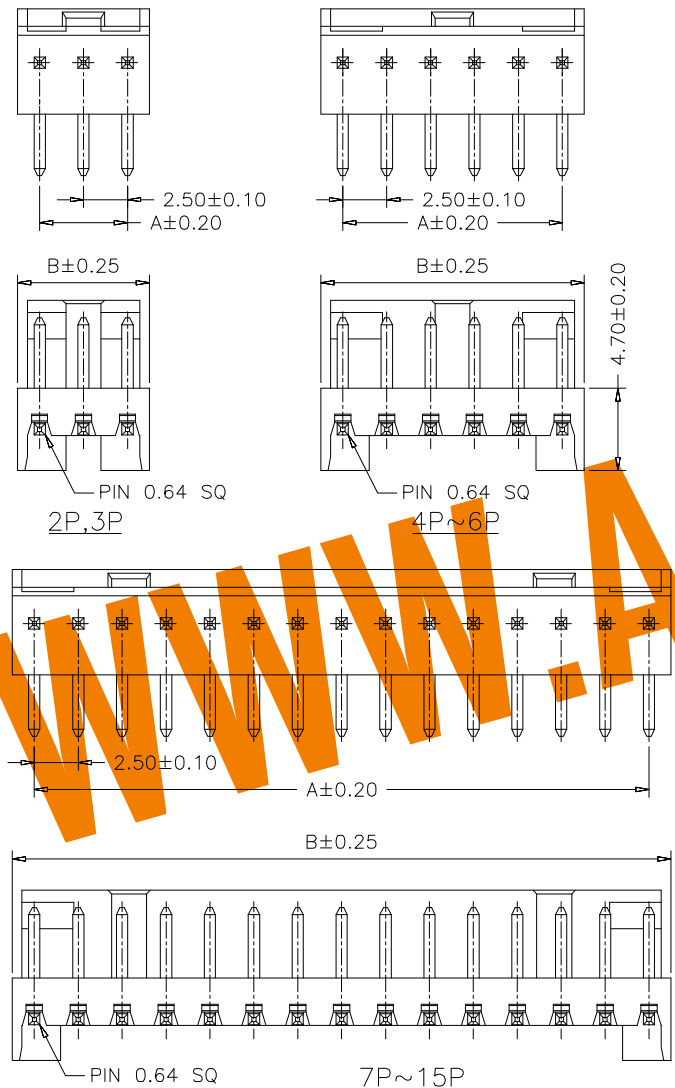
Specification:  
 -Current Rating: 3A AC/DC  
 -Voltage Rating: 250V AC/DC  
 -Insulation Resistance: 1000MΩ Min  
 -Withstanding Voltage: 1000VAC Min  
 -Contact resistance: 20mΩ(Max).  
 -Operation Temperature: -25°C to +85°C

Material:  
 -Insulator (Housing): PA66 (UL94V-0)  
 -Contacts: Brass  
 -Solder: Tin Plated  
 -Color: Brown

Ordering Information

SCT2504WR - \*\* B 0 BN 102

No.of Pins See Table    Insulation B=PA66 V0    Package 0=PE Bag    Color BN=Brown



10	22.50	25.00			
9	20.00	22.50			
8	17.50	20.00			
7	15.00	17.50			
6	12.50	15.00	15	35.00	37.50
5	10.00	12.50	14	32.50	35.00
4	7.50	10.00	13	30.00	32.50
3	5.00	7.50	12	27.50	30.00
2	2.50	5.00	11	25.00	27.50
Poles	A	B	Poles	A	B
	Dimensions			Dimensions	

					OPERATION	DRAW	Peng	2021.07.06	SCALE	-	 WWW.AsA-Elec.com AsA Electronic Co. Tel: (+98) 21 66 73 56 82 Mob: (+98) 912 03 161 02	
					X.X	±0.35			UNIT	mm		
A1	2021.07.06	Changed from SCT2504WR-xxP to SCT2504WR-xxB0BN102			X.XX	±0.25			SIZE	A4		
A0	2006.05.02	NEW			X.XXX	±0.15			SHEET	1/1	PART NO.	SCT2504WR-xxB0BN102
REV	DATE	MODIFICATION DESCRIPTION	CHANGE	APPROVE	Angle	± 3'			PROJ.		TITLE:	JAE 2.50mm Pitch 90° Wafer Connector
					DIM	TOL						